



AUTONAUTIC
the compass specialist

SHARE OUR **ENTHUSIASM**
FOR ACCURACY





- 
- 1** Autonautic Instrumental
 - 5** About us
 - 22** Marine compasses
 - 32** Clocks & Meterology

THE COMPASS **SPECIALIST**

WITH OVER 45 YEARS at the forefront in the design and manufacture, our trade is to combine accuracy, solidness and best craftsmanship.





The extensive portfolio of Autonautic Instrumental includes all type of marine compasses, precise clocks, barometers and weather instruments well balanced up to the detail. All our marine compasses are in compliance with Directive 2014/90/EC on Marine Equipment with Implementing Regulation (EU) 2023/1667 of 8 August 2023 and in accordance with the Regulations, Codes or Standards stated on the CE Type Approval Certificate (EC Type Examination Certificate-Module B), to provide you with a compass that guarantees maximum safety in Navigation. We manufacture a wide range of high-quality marine compasses, attractively designed for any type of boat. THE QUALITY OF OUR COMPASSES comes with the endorsement of the most demanding quality control systems of all Autonautic production processes, and the implementation of the ISO 9001:2015 quality system accredited by RINA for the design, manufacture and repair service of magnetic compasses. Autonautic clocks, chronometers and weather instruments combine traditional design and the stylishness of the finest nautical clocks and weather instruments.



MAGNETIC COMPASS REPAIR SERVICE

With routine maintenance, we can ensure that your vessels will have a standard magnetic compass on which they can rely, in any situation. AUTONAUTIC provides ships compass surveys, compass adjusting services, replacement and installation on-board your vessel. Within the shortest time, no matter where you are. AUTONAUTIC is the only company worldwide with the ISO 9001:2015 for magnetic compass repair services. RINA certifies our compass repair process with the ISO 9001:2015 quality certification. Over 4.500 magnetic compass repairs and a profound knowledge of compass manufacturing provide us with the required experience to repair any type of compass with total confidence.

MULTI-BRAND WORLDWIDE MAGNETIC COMPASS SERVICES

COMPASS REPAIR SERVICE

We have a renowned compass repair service to repair your magnetic compass in the shortest possible time to matter where the vessel is located.

Autonautic is the only ISO 9001:2015 certified company in the world for magnetic compass repair services.

Over 5100 repairs and an in depth knowledge of compass manufacturing give us the expertise to repair any type of compass with confidence.

COMPASS EXCHANGE PROGRAM

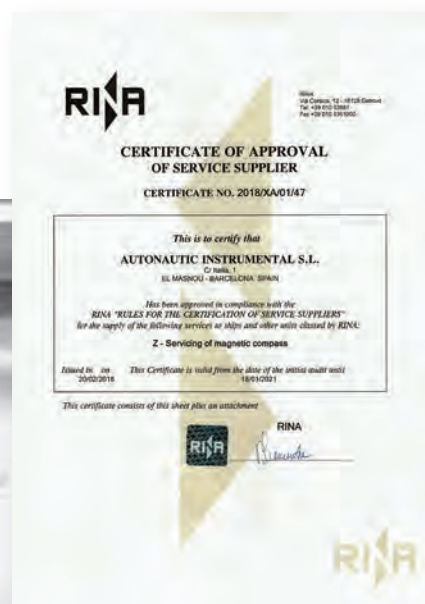
We have a permanent stock of reconditioned and duly certified compasses of the main brands ready to be sent to any destination in the world.

COMPASS ADJUSTMENT

24/7 On board or remote compass adjustment service in all ports of Spain and major ports of the world.

RINA SERVICE SUPPLIER

Autonautic is the only RINA SERVICE SUPPLIER in Spain to carry out the 2 and 4 years overhaul for RINA boats.



COM PASSSES

We manufacture a wide range of high quality marine compasses, attractively designed for any type of boat.

Autonautic compass dials not to be balanced to compensate for dip caused by the earth's magnetic field. Our compasses are suitable for all navigation zones. All our marine compasses are in compliance with Directive 2014/90/EC on Marine Equipment with Implementing Regulation (EU) 2023/1667 of 8 August 2023 and in accordance with the Regulations, Codes or Standards stated on the CE Type Approval Certificate (EC Type Examination Certificate-Module B), to provide you with a compass that guarantees maximum safety in Navigation.



COMPASS V-FINDER

A modern handbearing compass with a clean looking design, ergonomic and ambidextrous design.

SHOCKPROOF, WATERPROOF and SANDPROOF initially designed for regatta racing, it is also precise and precious companion when trekking or hiking.

LIGHT & ERGONOMIC

*the smooth finish feels soft in your hand,
and it will not slip, even if it is wet.*

ACCURATE BEARING

*Hardened pivot and double cup stone are a
guarantee of long life and shock resistance
of your V-FINDER compass.*

MEMORY RING

*The V-FINDER also has a memory ring, for
setting the desired course.*

HI-TECH BOTTOM CELL

*engineered using ultra-sonic welding, it
acts like an expansion membrane,
eliminating bubbles and leaks.*








PHOTOLUMINESCENT DIAL

completely maintenance-free.

AMBIDEXTROUS DESIGN

*is unique in that it manages to achieve an
unparalleled level of comfort both for right
and left-handed users.*

FEATURES

-  Two functions: handbearing & traditional compass
-  Memory Ring
-  Field of view: 30°
-  Photoluminescent dial
-  Red lubber lines
-  Weight: 90g
-  Fluid Damped



COMPASS C3 SERIES

Small, tidy and perfectly formed.



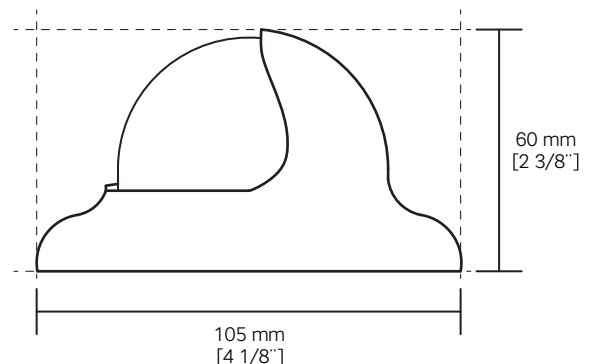
COMPASS C3 IS IDEALLY SUITED FOR USE IN A RIB OR DINGHY

Here is our smallest compass and ideally suited for use in a RIB or dinghy. When making your selection there are essentially three criteria size, damping and style of the compass card.

This C3 compass is easily mounted on a flat surface so no hole is required. It is well damped to cope with the greater range of movement in a RIB or dinghy and features a spherical card that is easy to read when standing up or sitting down.



FEATURES	Compass Type	Surface mount
	Boat Style	RIB or dinghy
	Dial Size	65 mm
	Card Design	Conical
	Night Lightning	12 - 24 V
	Compensators	No
	Warranty	2 years



COMPASS C12 SERIES

A modern and stylish looking power or sail boat bracket mounted compass.



C12-001



C12-002



C12-003



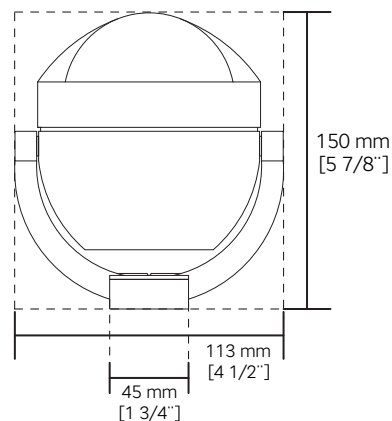
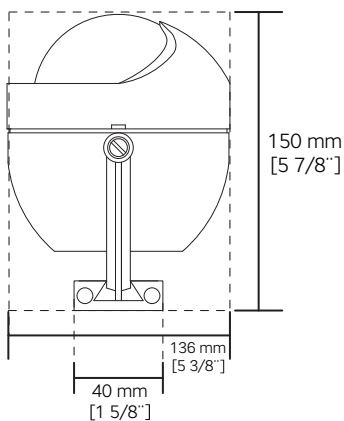
C12-004



C12-005

FEATURES

Compass Type	Bracket Mount
Dial Size	85 mm
Card Design	Flat or black cone-shaped card
Night Lightning	12 - 24V
Compensators	Optional
Warranty	5 years



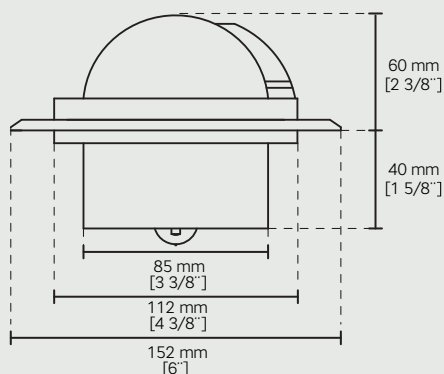
COMPASS

C12 PLUS SERIES

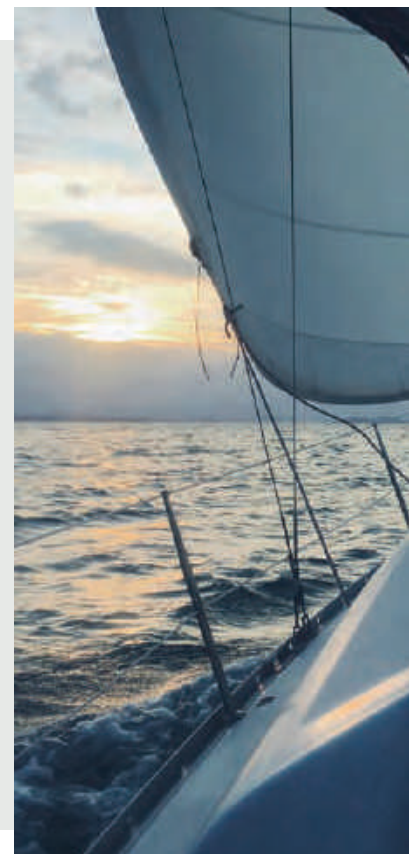
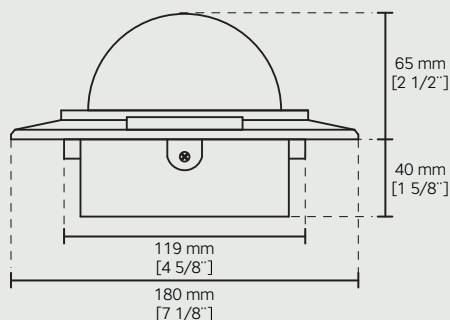
Power/sail boat compass optimized for mounting on horizontal surfaces.



C12 PLUS-0020



C12 PLUS-0021



FEATURES

	C12 PLUS-0020	C12 PLUS-0021
Compass Type	Flush Mount	Flush Mount
Boat Style	Power Sail	Power Sail
Dial Size	85 mm	100 mm
Card Design	Flat	Flat
Night Lightning	12 - 24 V	12 - 24 V
Compensators	No	Optional
Protective cover	yes	yes
Mounting Hole	85mm	100mm
Warranty	5 years	5 years



COMPASS

C12 110 SERIES

A modern and stylish looking power or sailboat compass optimized for mounting on horizontal surfaces.



C12 110-0010



C12 110-0011



C12 110-0012



C12 110-0013



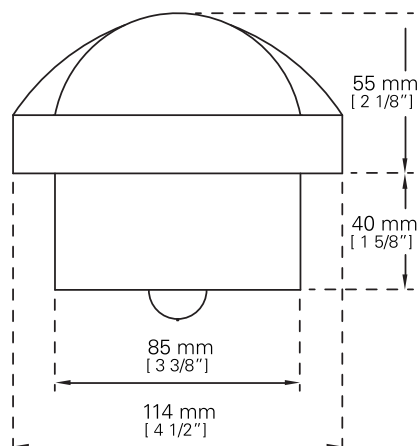
C12 110-0014



C12 110-0015

FEATURES

Compass Type	Flush mount
Boat Style	Power or sail
Dial Size	85 mm
Card Design	Flat or Conical
Night Lighting	12 - 24 V
Compensators	No
Mounting Hole	85 mm
Warranty	5 years



COMPASS C8 SERIES

A modern and stylish looking power or sailboat bracket mounted compass.

Can be adjusted to mount on any horizontal, roof or vertical surface.



C8-0025



C8-0026



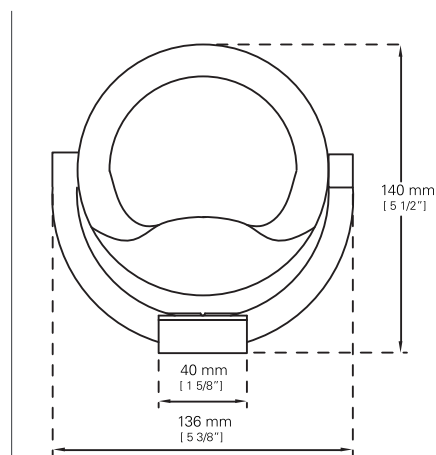
LATERAL MOUNT



ROOFMOUNT

FEATURES

Compass Type	Multidirectional bracket mount
Boat Style	Power or sail
Dial Size	85 mm
Card Design	Conical
Night Lightning	12 - 24 V
Clinometer	5°
Compensators	No
Warranty	5 years





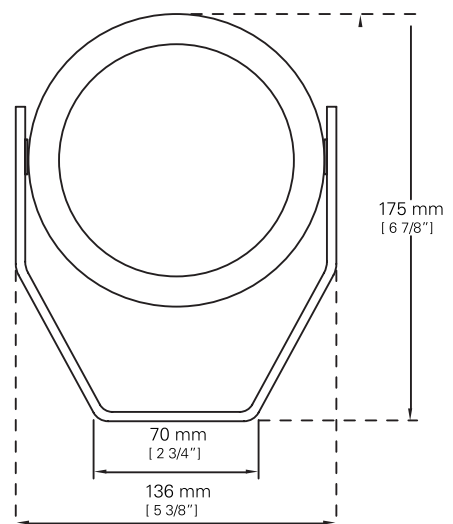
C8-0027



ROOFMOUNT

FEATURES

Compass Type	Bracket mount
Boat Style	Power or sail
Dial Size	100 mm
Card Design	Conical
Night Lightning	12 - 24 V
Clinometer	5°
Compensators	No
Warranty	5 years



COMPASS C10 SERIES

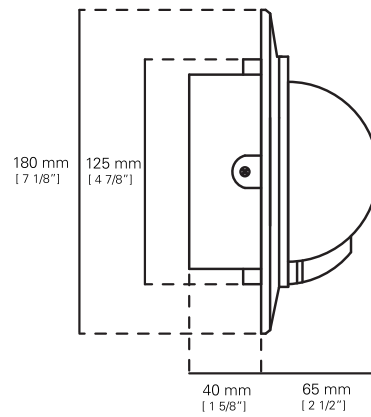
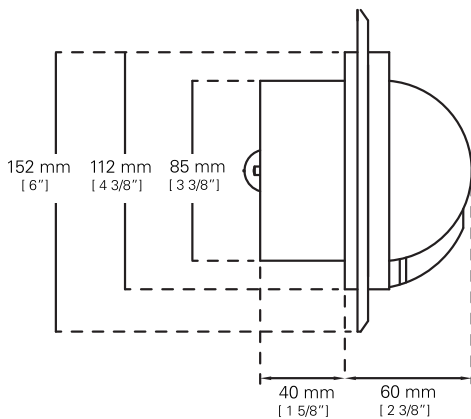
A conventionally styled sailboat bulkhead mounted compass.



C10-0037



C10-0038



FEATURES

	C10-0037	C10-0038
Compass Type	Bulkhead mount	Bulkhead mount
Boat Style	Power Sail	Power Sail
Dial Size	85 mm	100 mm
Card Design	Conical	Conical
Night Lightning	12 - 24 V	12 - 24 V
Compensators	5°	5°
Protective cover	yes	yes
Mounting Hole	85mm	125mm
Warranty	5 years	5 years



COMPASS C9 SERIES

A modern and stylish looking sailboat bulkhead mounted compass.



C9-0030

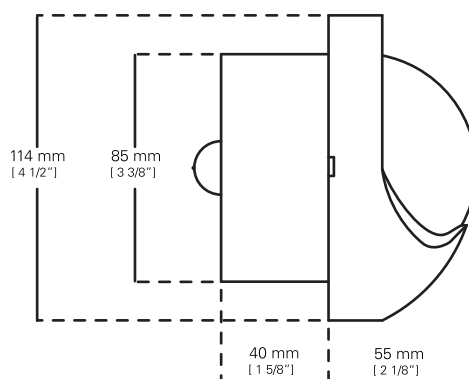


C9-0031

C9-0030/0031

FEATURES

Compass Type	Bulkhead mount
Boat Style	Power Sail
Dial Size	85 mm
Card Design	Conical
Night Lightning	12 - 24 V
Compensators	5°
Protective cover	Anti-glare screen
Mounting Hole	85mm
Warranty	5 years



COMPASS CHE SERIES

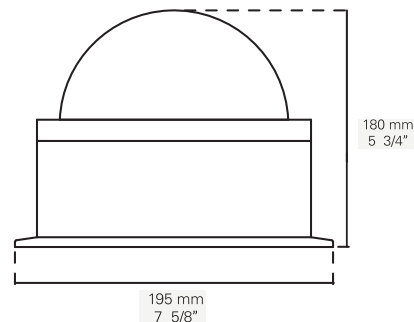
A power or sailboat binnacle compass with optional quadrantal correctors for steel boats.



CHE- 0073



CHE- 0074



FEATURES

Compass Type	Deck mount
Boat Style	Power or Sail
Dial Size	140 mm
Card Design	Flat
Night Lightning	12 - 24 V
Compensators	Built-in
Protective cover	Yes
Warranty	5 years



OPTIONAL ACCESSORIES

D-QUADRANTAL CORRECTOR FOR STEEL VESSELS:
QC-CHE



COMPASS C15 SERIES

A modern and stylish looking power or sailboat binnacle compass.



C15-0048



C15-0049



C15-0050



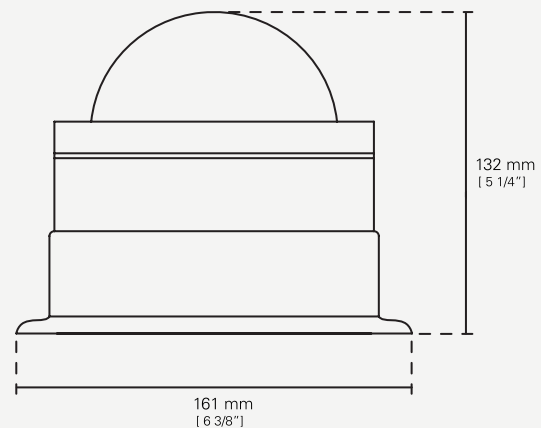
C15-0051



C15-0052

FEATURES

Compass Type	Deck Mount
Boat Style	Power or sail
Dial Size	100 mm
Card Design	Flat or Conical
Night Lightning	12 - 24 V
Compensators	Built-in
Antiglare Screen	Yes
Warranty	5 years



COMPASS

C15 150 SERIES

Flush mount 100mm dial marine compass with a clear looking design.



C15 150-0063



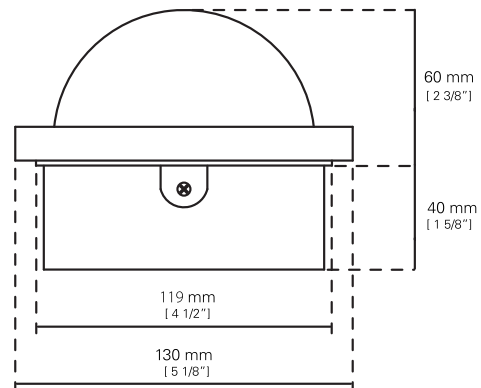
C15 150-0065



C15 150-0064

FEATURES

Compass Type	Rush Mount
Boat Style	Power or sail
Dial Size	100 mm
Card Design	Flat or Conical
Night Lightning	12 - 24 V
Compensators	No
Protective Cover	Yes
Mounting Hole	85mm
Warranty	5 years



COMPASS CHE SERIES

Overhead compass for use on professional or commercial ships.



FEATURES

125 mm 5,75° dial.

B+C correctors built-in.

1° graduation.

Hardened steel pivot and sapphire jewel.

90 degree lubber lines for easy reading.

Night lighting 12/24.

Type MED / SOLAS approved.

Individual MED / SOLAS certificate.

5 years warranty.

Overall dimensions 195 x 110 mm + mirror.

Optional accesories: quadrantal correctors CHE0079

COMPASS C4 SERIES



C4-00114



C4-00108

FEATURES

	C4-00114	C4-00108
Compass Type	Wooden box gimballed compass	Wooden box compass
Boat Style	Rescue boats / lifeboats	Rescue boats / lifeboats
Dial Size	100 mm	85 mm
Card Design	Flat	Flat
Night Lightning	No	1,5v Led light
Wooden box dimensions	190x190x130 mm	155x135x155 mm
Warranty	5 years	5 years



COMPASS CHH SERIES



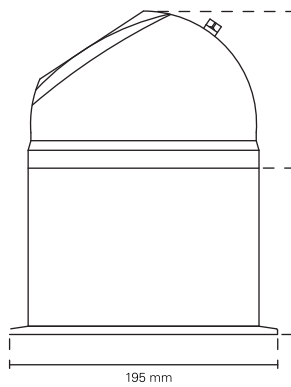
CHH-0090



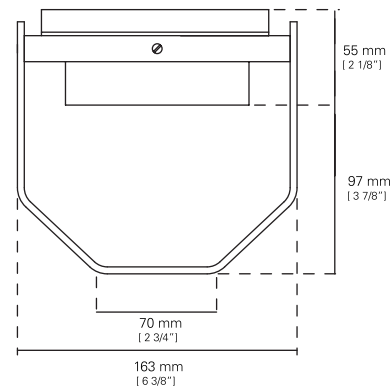
CHH-0096

FEATURES

Compass Type	Bracket/Deck mount
Boat Style	Life-boat & Rescue boats
Dial Size	100 mm
Card Design	Flat
Gimbal	360°
Warranty	5 years



CHH-0090



CHH-0096



MARINE PROFESSIONAL PELORUS



Watch relative bearings change, predict crossing situations, plot offshore fixes with a 3 arm protractor, or check your compass by sun or stars. These are some of the things you can do with a pelorus. Large ships have permanently mounted peloruses, or some that can be mounted in deck shoes. On a smaller scale, these portable peloruses will give you many of the same benefits. A compass adjuster will find this a very nice instrument when calling on an assignment.

MARINE PROFESSIONAL PELORUS



TAX-00122

PROFESSIONAL GRADE PELORUS.

The Boxed Pelorus is stored in its plywood box by resting on two lower gimbals and folding down the aluminium sighting vanes. For operational use, the pelorus is raised to engage two upper gimbals in the box and raising the sighting vanes or installing the sun shadow vane. The plywood box size is 21 x 21 x 18 cm and is finished in natural wood tones. The Peloruses have a gimbaled bearing card which is 125 mm in diameter, and is marked in one degree increments. A sun shadow vane may be used for checking the ship's compass. The gimbals are weighted for stability, and overall construction is of aluminium and polyamide.



TAX-00123

BRACKET MOUNT PELORUS.

The Shoe Mount Pelorus comes with a deck shoe that can be affixed with two screws at a desired location where bearings may be easily taken. The pelorus can be taken from its storage box and be quickly mounted on the shoe. After use it can be returned to its box, or left out for later use. Storage box size is 24 x 24 x 15mm, 9.5" square x 5" high, and is finished in natural wood tones. The Pelorus have a gimbaled bearing card which is 5 inches in diameter, and is marked in one degree increments. A sun shadow vane may be used for checking the ship's compass. The gimbals are weighted for stability, and overall construction is of aluminum and polyamide. The Boxed Pelorus is quite nice looking in its box. Apart from its functional attributes, it would be well suited as a marine artifact in a den or office.



PROFESSIONAL
**CLASS A
MAGNETIC
COMPASSES**



COMPASS

C20 SERIES

Wooden box spare compass CLASS A 125mm dial for commercial and professional boats.



C20-00131

FEATURES

Boat Style	Commercial and profesional boats
Dial Size	125 mm
Card Design	Flat
Gradutation	Every degree with cardinal markings
Wooden box dimensions	245x245x135 mm
Sliding cover	Yes
Warranty	10 years
Optional Accessories	Azimuth device for C20 compass C20-00136



COMPASS C20 SERIES

CLASS A bracket mount compass for medium sized professional boats.



C20-00137



OVERVIEW

The C20-00137 is a rugged bracket-mounted CLASS A magnetic compass. Mainly designed for fishing vessels, yachting and workboats. The C20-00137 comes with a deck shoe mounting plate for easy mounting. The bracket is made with a marine grade aluminum with electrostatic coated with a high-quality polymer for marine applications to protect against sea water corrosion. The C20-00137 has arrangement to install our C20-00132 TMC NMEA0183 compass pick up.

FEATURES

Compass Type	Bracket mount
Boat Style	Commercial Vessels
Dial Size	125 mm
Card Design	Flat
Graduation	Every degree with cardinal markings
Overall dimensions	230x153 mm / 400x153 mm
Mounting deck shoes	Yes
Warranty	10 years

OPTIONAL ACCESORIES

NMEA0183 TMC sensor	C20-00132
Azimuth ring and sighting vanes	C20-00136



COMPASS C20 SERIES

For commercial vessels under 150grt,
and workboats under 35 metres.



C20-00130



FEATURES

- 125 mm card CLASS A magnetic compass
- 1 degree graduation
- B+C compensation system built-in
- Quadrantal correctors for steel hull
- Arrangements for NMEA0183 TMC sensor
- Marine Aluminum binnacle grade
- 24 vdc lighting (main and Supply LED light)
- Textile waterproof cover
- Type MED / SOLAS approved
- Individual MED 7 SOLAS certificate included
- 10 Years Warranty
- Reduced Shipyard installation
- Overall dimensions: 430x50 mm / Base 0280 mm

DESIGN FEATURES

- Class A magnetic compass
- 1 degree graduation
- 125 mm, flat card
- Arrangements for NMEA compass pick up

OPTIONAL ACCESSORIES

- | | |
|---------------------------------|-----------|
| NMEA0183 TMC sensor | C20-00132 |
| Azimuth ring and sighting vanes | C20-00136 |
| Spare compass in wooden box | C20.00131 |

ACCESORIOS C20 SERIES



PERISCOPE TUBE

FEATURES

Reduced shipyard installation work.

30° of Visibility.

Optional individually length arrangements.

Anti-reflective lens.

Low weight.

Reinforced ABS periscope.

LIGHT JUNCTION BOX

FEATURES

High quality LED lighting

24 Vdc

Main and emergency light

IP rating 67

TEXTILE WATERPROOF COVER

FEATURES

Improved protection.



COMPASS C20 SERIES

Tablet top for reflector magnetic CLASS A compass outfit.



C20-00130



TEXTILE WATERPROOF COVER INCLUDED

FEATURES

125 mm card CLASS A compass

1 degree graduation

Arrangements for NMEA0183 TMC sensor

Marine Aluminum binnacle grade

24 vdc lighting

Waterproof textile cover

Type MED / SOLAS approved

Individual MED 7 SOLAS certificate included

10 Years Warranty

Reduced Shipyard installation

Overall dimensions: 430x30 mm / Base 0280 mm

FEATURES

Improved protection.

OPTIONAL ACCESSORIES

Periscope	C20-00135
NMEA0183 TMC sensor	C20-00132
Spare 125 mm compass.	C20.00131
Azimuth ring and sighting vanes	C20.00136
Compass course repeater	C20.00133

COMPASS C20 SERIES

The autonautic compass pick up sensor takes the magnetic data generated by an existing yacht compass and converts it into NMEA0183 data to use for a variety of on-board purposes.

Its roots are found in larger vessels where the ship's compass is precisely calibrated and for certification purposes acts as the reference point for all navigation systems. This sub-system senses the angle of a strong external magnetic field. Such a field is produced by large marine permanent-magnet compasses. By placing the C20-00132 compass pick up sensor under the compass the angle of the magnet is sensed and available as an NMEA-0183 sentence. A variety of options can be set. Calibration is assisted by a PC software utility.



C20-00132

FEATURES

IP68

NMEA-0183

8.30V Supply

Manual calibration with PC Software

Zerio rotate ring

Centre Hole

APPLICATIONS

Marine compass pickup for any magnetic compass

COMPASS C20 SERIES

The new autonautic compass repeater have been created to combine practical functionality alongside classic watch-like design.

They are equally at home mounted in the saloon for information purposes, in the cockpit for vital passage making data at a glance or anywhere in-between. Clear, easy to read analogue gauges combined with clever lighting features, provide seamless day to night readability. Installation is straightforward with only a small hole for the cable needed in the panel. Sealed to IP68 standards providing long term water ingress protection, they are compatible with NMEA 0183. The C20-00133 is one Marine Instrument Displays designed to be both attractive and easy-to-use. IP68 for outside applications the displays can be mounted inside where the information is presented to all those onboard in an attractive way.



FEATURES

Familiar rotating card compass display

Standard 110mm square

Surface mount- no cut-out

Designed for cockpit, chart-tablet or saloon

IP68

NMEA0183 (other versions available)

Tracking back-light for best night-vision

Can be directly driven by C20-00132

pick up compass sensor.

CLOCKS & METEOROLOGY

Our clocks, chronometers and weather instruments combine traditional design and the stylishness of the finest nautical clocks and weather instruments.

- /Gold flash 18 karats
- / Maintenance-free
- / Solid brass cases
- / Ultra-hard finish that will never tarnish or scratch
- / Lifetime warranty on finish and clock movement

EASY FIX SYSTEM

To ensure easy operation and installation, an easy x system is supplied in our 95 & 120 range of instruments which allows access to the movements, battery replacement or adjustment without removal from the bulkhead.



TRADITIONAL CHRONOMETER **PROFESSIONAL MARINE**

This is a new, elegant rendition of this standard theme, with classical conservative lines, and a new way of presentation.

Classical gimballed professional marine quartz chronometer with roman numerals and inner Arabic numerals mounted in a varnished wood and brass carriage case. While technically not a true chronometer in the strict sense — that being a clock with a constant rate of error — the quartz movement is of the finest German manufacture, the U.T.S. Co., and deserves the highest rating that a quartz movement can have. UTS is the number one producer of quartz movements in Europe, and produces movements for the famous Junghans quartz clocks. The box itself is made from fine grade beechwood with a mahogany finish, and 18 karats gold flashing on all metallic fixtures. The clock is encased in a solid brass, gold flashed housing with a 5 mm thick crystal glass bezel which is beveled on its circumference. The clock has a 12-hour Roman numeral dial with sweep second hand. Guaranteed accuracy is less than 1 second per day error.



MODEL **CMQ**

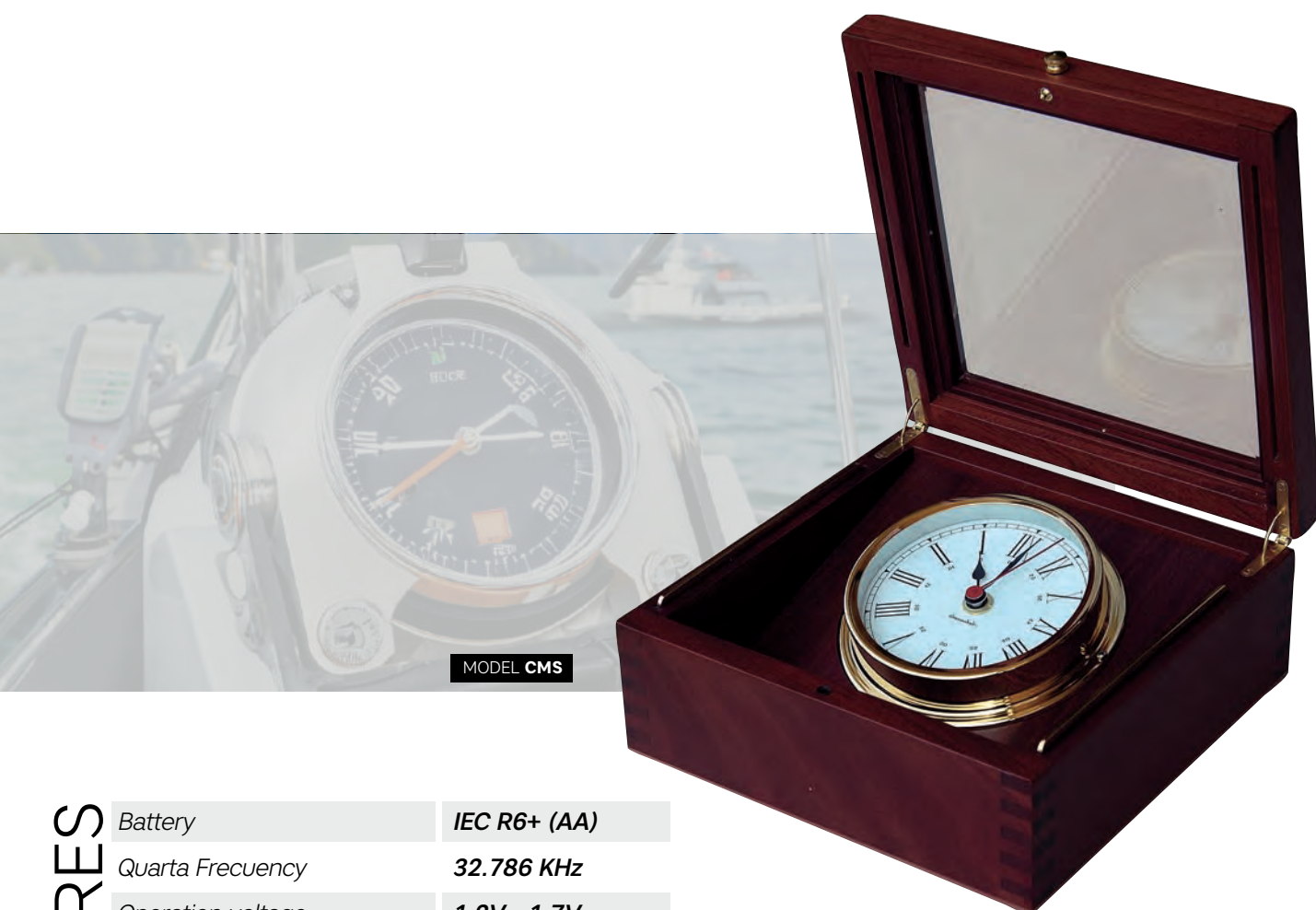
FEATURES

<i>Battery</i>	IEC R6+ (AA)
<i>Quarta Frecuency</i>	32.786 KHz
<i>Operation voltage</i>	1.2V - 1.7V
<i>Time keeping accuracy</i>	Din 8325
<i>Operating temperature range</i>	-5°C + 50°C
<i>Battery life</i>	Approx 2 year
<i>Dimensions</i>	195x195x185 mm

CHRONOMETER PROFESSIONAL MARINE

This is a new, elegant rendition of this standard theme, with classical conservative lines, and a new way of presentation.

The clock is on an inclined bed for easy viewing with the top opened, or even with it closed due to the clear panel mounted in the top. Classical professional marine quartz chronometer with roman numerals mounted in a varnished wood and brass carriage case. While technically not a true chronometer in the strict sense — that being a clock with a constant rate of error — the high quality quartz movement deserves the highest rating that a quartz movement can have. The box itself is made from fine grade beechwood with a mahogany finish, and 18 karats gold flashing on all metallic fixtures. The clock is encased in a solid brass, gold flash housing. The clock has a 12-hour Roman numeral dial with sweep second hand. Guaranteed accuracy is less than 1 second per day error.



MODEL CMS

FEATURES

Battery	IEC R6+ (AA)
Quarta Frecuency	32.786 KHz
Operation voltage	1.2V - 1.7V
Time keeping accuracy	Din 8325
Operating temperature range	-5°C + 50°C
Battery life	Approx 2 year
Dimensions	200x200x85 mm

MINOR 72 SERIES

These instruments are ideal for smaller craft where space is at a premium but it is still desirable to carry a full set of meteorological instruments.

These instruments would also make an attractive addition to any caravan or motorhome.

GOLD FLASH

QUARTZ CLOCK



R72D

BAROMETER



B72D

THERMOMETER



T72D

HYGROMETER



H72D

QUARTZ CLOCK



R72C

BAROMETER



B72C

THERMOMETER



T72C

HYGROMETER



H72C

BASE 72mm
TOP HEIGHT 39mm
DIAL 55mm

MINOR 72 SERIES



QUARTZ CLOCK



R72N

BAROMETER



B72N

THERMOMETER



T72N

HYGROMETER



H72N

QUARTZ CLOCK



RE72C

BAROMETER



BE72C

THERMOMETER



TE72C

HYGROMETER



HI72C

BLACK ALUMINIUM

CHROMATED & BLACK

ATLANTIC 95 SERIES

Atlantic 95 is a small-medium range of instruments, ideal for leisure craft whose owners enjoy having a full set of meteorological instruments.
Now with a new **easy fix system**.



BLACK ALUMINIUM — CHROMATED — GOLD FLASH

QUARTZ CLOCK



R95D

BAROMETER



B95D

COMFORTMETER



TH95D

QUARTZ CLOCK



R95C

BAROMETER



B95C

COMFORTMETER



TH95C

QUARTZ CLOCK



R95N

BAROMETER



B95N

COMFORTMETER



TH95N

BASE 95mm
TOP HEIGHT 35mm
DIAL 80mm

BALTIC 110 SERIES

Indoor and outdoor instruments. In contrast to the fine finishes of the other groups of instruments, the Baltic range made with high quality polyamide provides a rugged alternative.

QUARTZ CLOCK



RBP

BAROMETER



BBP

HYGROMETER



HBP

THERMOMETER



TBP

CLINOMETER



CLBP

BASE	110mm
TOP HEIGHT	40mm
DIAL	45mm



PACIFIC 120 SERIES

The Pacific 120 is a mid-range size of instruments suitable for leisure craft and small commercial vessels. Now with a new **easy fix system**.



GOLD FLASH

CHROMATED

QUARTZ CLOCK



R120D-R

QUARTZ CLOCK



R120D-A

QUARTZ CLOCK



R120D-A.1

BAROMETER



B120D

COMFORTMETER



TH120N

CLINOMETER



CL120D

QUARTZ CLOCK



R120C-R

QUARTZ CLOCK



R120C-A

QUARTZ CLOCK



R120C-A.1

BAROMETER



B120C

COMFORTMETER



TH120C

CLINOMETER



CL120C

BASE 120mm
TOP HEIGHT 35mm
DIAL 100mm

PACIFIC 120 SERIES

The Pacific 120 is a mid-range size of instruments suitable for leisure craft and small commercial vessels. Now with a new **easy fix system**.



QUARTZ CLOCK



R120N-R

QUARTZ CLOCK



R120N-A

QUARTZ CLOCK



R120N-A.1

BAROMETER



B120N

COMFORTMETER



TH120N

CLINOMETER



CL120N

BLACK ALUMINIUM



INDIC 175 SERIES

The Indic 175 is a mid and large-range size of instruments suitable for leisure craft and small commercial vessels. Our biggest instruments.

GOLD FLASH

QUARTZ CLOCK



R175D

BAROMETER



B175D

COMFORTMETER



TH175D

CLINOMETER



CL175D



QUARTZ CLOCK



R175C

BAROMETER



B175C

COMFORTMETER



TH175C

CLINOMETER



CL175C



BASE 175mm
TOP HEIGHT 40mm
DIAL 150mm

MINOR WEATHER STATIONS 72 SERIES



EP



EPC

FEATURES

Base	72 mm
Top Height	39 mm
Dial	50 mm
Dimensions	230 x 85 mm
Thermo-Baro-Hygrometer	

ATLANTIC/PACIFIC WEATHER STATIONS 95/120 SERIES

ATLANTIC



EG

PACIFIC



EMT

FEATURES

	95 SERIES	120 SERIES
Base	95 mm	120 mm
Top Height	35 mm	35 mm
Dial	75 mm	100 mm
Dimensions	350 x 130 mm	443 X 185 mm
Clock-barometer-thermohygro		







AUTONAUTIC

the compass specialist

Agricultura, 22. Local 6.
08320 EL MASNOU
BARCELONA
SPAIN
TEL. +34 935 40 99 49

www.autonauticinstrumental.com
info@autonauticinstrumental.com