

# NOA



**Boat accessories and frames for winter storage**

**Boat dollies for exhibitions and storage**





## Radar- and wind generator mounts

NOA is Scandinavia's leading manufacturer of radar mounts. The mounts fit all sailing boats and are available in two different pole diameters, 50 mm or 80 mm. Standard length is 2100 mm. Other lengths can be manufactured on request.



10620



10621



10838



10863



10633

### Item number Radar- and wind generator mounts

- 10620 Radar mount 50 mm x 2100 mm, strut 1500 mm, adjustable top plate
- 10621 Radar mount 80 mm x 2100 mm, strut 1500 mm, NOA fitting 80 mm for push-pit (10838), adjustable top plate
- 10624 Wind generator mount 50 mm x 3000 mm, strut 1500 mm, NOA fitting 50 mm for push-pit (10858)

### Accessories and spare parts

- 10633 Adjustable base for 25 mm strut
- 10838 NOA fitting, 80 mm - incl NOA fitting 25 mm
- 10858 NOA fitting, 50 mm - incl NOA fitting 25 mm
- 10863 NOA fitting 80 mm to radar mount 80 mm for solar panel mount 10606





10604



10606



10609



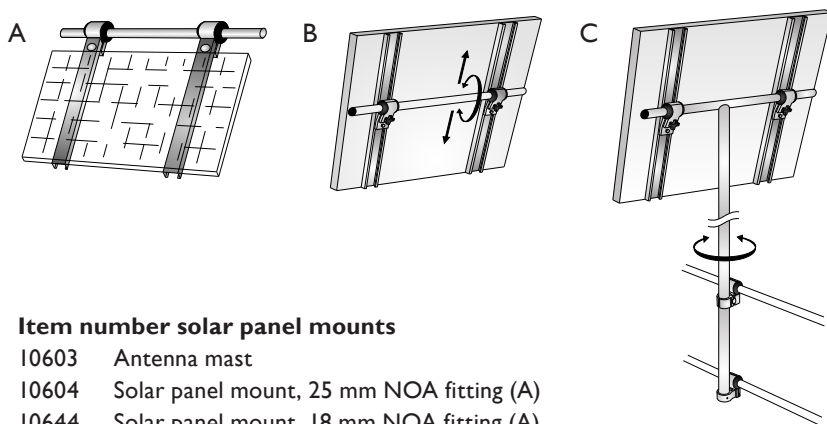
10608



10639

# Solar panel mounts

- A Solar panel mount which is securely fastened in the push-pit with NOA fittings. Stay extrusion 650 mm.
- B Adjustable solar panel mount. Fastened with NOA stay-fittings. Stay extrusion 650 mm.
- C Turning solar panel mount which rotates horizontally as well as vertically. Stay extrusion 650 mm

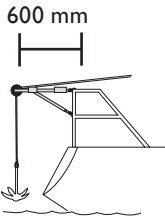


## Item number solar panel mounts

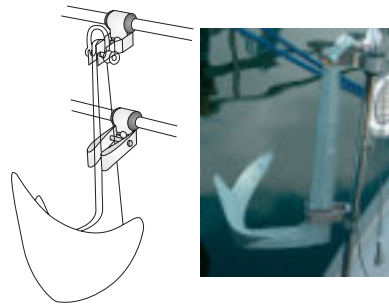
- 10603 Antenna mast
- 10604 Solar panel mount, 25 mm NOA fitting (A)
- 10644 Solar panel mount, 18 mm NOA fitting (A)
- 10645 Solar panel mount, 22 mm NOA fitting (A)
- 10653 Solar panel mount, 30 mm NOA fitting (A)
- 10654 Solar panel mount, 32 mm NOA fitting (A)
- 10655 Solar panel mount, 38 mm NOA fitting (A)
- 10606 Adjustable solar panel mount, 25 mm NOA fitting (B)
- 10656 Adjustable solar panel mount, 30 mm NOA fitting (B)
- 10657 Adjustable solar panel mount, 32 mm NOA fitting (B)
- 10658 Adjustable solar panel mount, 38 mm NOA fitting (B)
- 10659 Adjustable solar panel mount, 18 mm NOA fitting (B)
- 10608 Turning solar panel mount, 600 x 1800 mm, stay extrusion 650 mm, vertical tube 30 mm (C)
- 10609 Turning solar panel mount, 600 x 1800 mm, stay extrusion 650 mm, vertical tube 40 mm, adjustable base (C)
- 10639 Turning solar panel mount, 600 x 1800 mm, stay extrusion 650 mm, vertical tube 50 mm, adjustable base, 2 x 1500 mm struts (C)



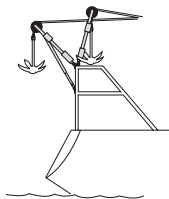
- 10602 Anchor davit  
Includes NOA fitting  
600 x 147 x 75 mm
- 10702 Support leg anchor davit  
Spare part, incl NOA fitting



The anchor is kept away from the hull



- 10605 Anchor holder  
Includes NOA fitting



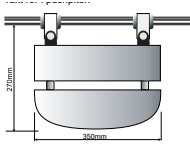
Lifts the anchor over the push-pit



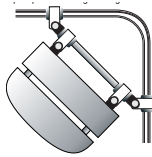
The anchor davit runs both ways



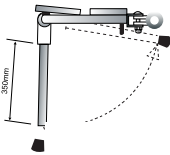
- 10617 Chain container  
550 x 80 mm  
Includes NOA fitting



On a straight tube



In a corner with diagonal stay



The leg cuts in suitable length



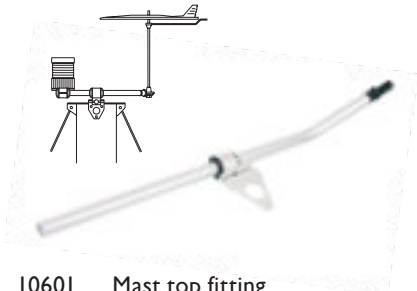
Diagonal stay

10618 Folding seat, 350 x 270 mm

Includes NOA fittings

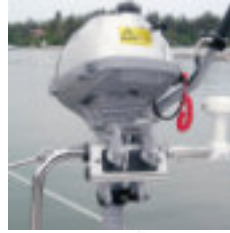
10636 Diagonal stay

Includes NOA fitting



10601 Mast top fitting

Includes NOA fitting



10619 Outboard mounting plate. For 25 mm tube  
200 x 47 x 90 mm

10650 Outboard mounting plate. For 30 mm tube  
200 x 53 x 109 mm

10651 Outboard mounting plate. For 32 mm tube  
200 x 53 x 109 mm

10652 Outboard mounting plate. For 38 mm tube  
200 x 53 x 109 mm

10663 Outboard mounting plate. For 18 mm tube  
200 x 47x 90 mm



10822 Outboard mount teak  
195 x 120 x 18 mm  
Excluding NOA fitting



- I0803 NOA fitting 25 mm
- I0806 NOA fitting 22 mm
- I0843 NOA fitting 18 mm
- I0846 NOA fitting 30 mm
- I0847 NOA fitting 32 mm
- I0848 NOA fitting 38 mm



- I0813 NOA stay fitting 25 mm
- I0839 NOA stay fitting 18 mm
- I0854 NOA stay fitting 30 mm
- I0855 NOA stay fitting 32 mm
- I0856 NOA stay fitting 38 mm



- I0809 NOA double fitting 25 mm
- I0859 NOA double fitting 18 mm
- I0860 NOA double fitting 30 mm
- I0861 NOA double fitting 32 mm
- I0862 NOA double fitting 38 mm



- I0814 NOA cross fitting 25 mm
- I0815 NOA cross fitting 30 mm  
(30 mm without sleeve)
- I0845 NOA cross fitting 40 mm



- I0819 NOA fitting 25 mm  
Hinge, for anchor davit

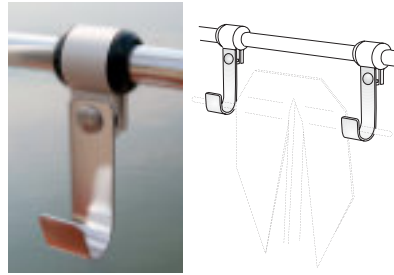


- I0818 NOA fitting 25 mm  
Round corners





10820 Life-buoy holder  
Excluding NOA fitting



10821 Anchor hook  
110 x 35 x 45 mm  
Excluding NOA fitting



10625 Davit  
1550 x 65 mm,  
arm 600 x 35 mm  
Includes NOA fittings  
Rope and block not included  
Lift capacity 20 kg



10824 Antenna plate large  
90 x 115 mm  
Excluding NOA fitting



10825 Antenna plate small  
34 x 115 mm  
Excluding NOA fitting



10827 Boom eye, 85 x 51 mm  
Excluding NOA fitting



10832 Boom holder, dia 100 mm  
Excluding NOA fitting



10826 Flagpole holder  
Excluding NOA fitting



10829 L-shape holder  
For vertical mountings



10830 U-holder  
For vertical mountings





10831 Hook, 95 x 50 mm  
Excluding NOA fitting



10837 NOA fitting 80 mm for pulpit  
10838 NOA fitting 80 mm for pulpit  
incl. 2 x NOA fitting 25 mm



10835 NOA fitting 50 mm



10857 NOA fitting 50 mm for pulpit  
10858 NOA fitting 50 mm for pulpit  
incl. 2 x NOA fitting 25 mm



10836 NOA fitting 80 mm



10863 NOA fitting 80 mm  
to radar mount for solar  
panel mount



- 11510 Plastic sleeve 25 mm
- 11511 Plastic sleeve 22 mm
- 11512 Plastic sleeve 28 mm
- 11513 Plastic sleeve 30 mm
- 11514 Plastic sleeve 32 mm
- 11515 Plastic sleeve 38 mm
- 11516 Plastic sleeve 18 mm



- 11705 Knob w. bult M8 x 30, for adjustable solar panel mount



- 11709 Knob with nut M8, for turning solar panel mount



## **Maintain the value of your boat with NOA's frame system**

Once summer has passed it is time to take care of your boat. Even though this may not be the highlight of the boating season, it may very well be the most important. A lot can be gained by taking the time to avoid mistakes. At NOA we have more than 25 years of experience of winter storage. We know what is required in order to care for your boat when it is not in use. We have developed a modular system so that the frame is tailor made to provide the best possible storage.

NOA is Scandinavia's leading producer of frames. All frames are made of aluminium and stainless steel (A4) which ensures a durable and long lasting product. NOA's unique fittings guarantee an easy and quick assembly of the frame. The frame has no sharp edges that can scratch the gel coat, harm the pulpit or ruin the tarpaulin.

There is a NOA solution for almost all pleasure crafts due to our assortment of frames. If you decide to change boat, we will of course help you to adjust your NOA frame so that it fits your new boat.



# Winter storage

## *Six hints and guidelines*

### **1. Storage location**

Regardless whether you place your boat on stands, in a cradle or on a trailer, choose a place which is level and protected from the wind. Also make sure that this is not an area where water gathers, nor that it is an area with a lot of vegetation which attracts mice and other vermin.

### **2. Stands and cradles**

If you are keeping your boat at a marina, check what rules apply regarding stands and cradles. Make sure that there is no or little weight on the stanchions. Consult the manual from the manufacturer of the stanchions for the best possible result.

### **3. Frame**

Choose a frame which is light but of highest quality which will not harm neither boat nor tarpaulin, preferably a NOA covering frame. Make sure you buy a frame that suits your needs. If, for example, you are going to refurbish your boat, we suggest you take a closer look at our boat houses.

### **4. Tarpaulin**

Choose a good quality tarpaulin which can withstand the elements such as snow, ice, sun and strong winds. Moisture will always rise from the ground and stick to the inside of the tarpaulin. It is therefore important to have good ventilation, both in the fore and aft.

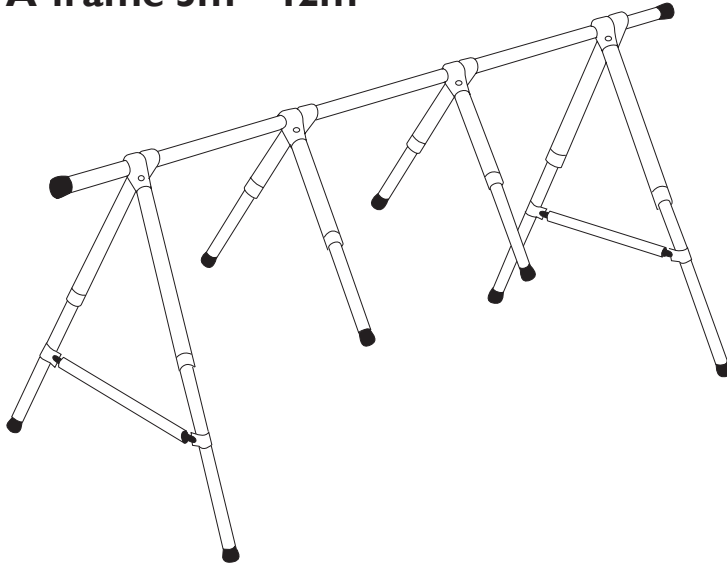
### **5. Check the tarpaulin**

After everything is in place, make sure that there are no holes or ruptures in the tarpaulin where water can leak through. Make sure that there is enough ventilation.

### **6. Visit**

Always visit your boat after storms and severe rains. Your frame may be intact but somebody else's might have harmed yours.

## A-frame 5m – 12m



The advantage of the A-frame is that the A-legs take the load of the wind pressure against the boat as the legs stand directly on the ground. The A-legs lift the tarpaulin so that air enters both fore and aft which ensures excellent ventilation. The deck-legs are placed against the edge of the gunwale, the cabin roof or alternatively in the cockpit to ensure outstanding stability. Both the A-legs as well as the deck-legs are telescopic.

The A-frame is suitable for sail boats and motor boats without pulpits and pushpit. The A-frame is available in eight different lengths.

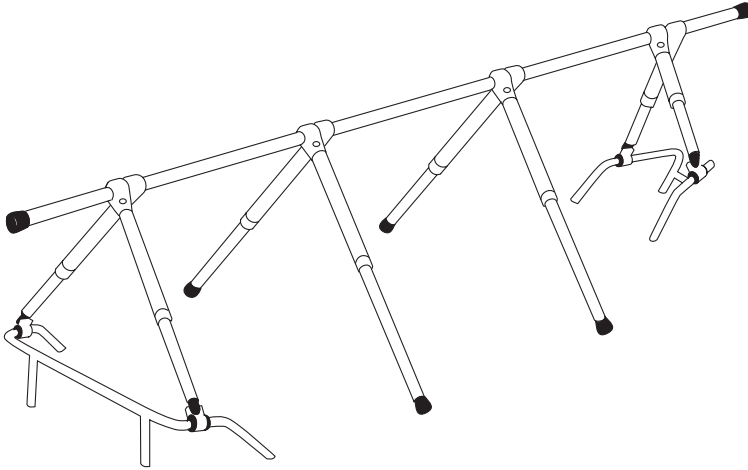
### Item number A-frame

10205	A-frame 5 meter
10206	A-frame 6 meter
10207	A-frame 7 meter
10208	A-frame 8 meter
10209	A-frame 9 meter
10210	A-frame 10 meter
10211	A-frame 11 meter
10212	A-frame 12 meter





## Deck frame 7m - 16m



The deck-frame is suitable for all sail boats and motor boats with a pulpit and pushpit. The frame sits securely on the boat with the aid of NOA fittings. The deck legs are placed against the edge of the gunwale, the cabin roof or alternatively in the cockpit to ensure outstanding stability. The deck frame is available in 10 different lengths.

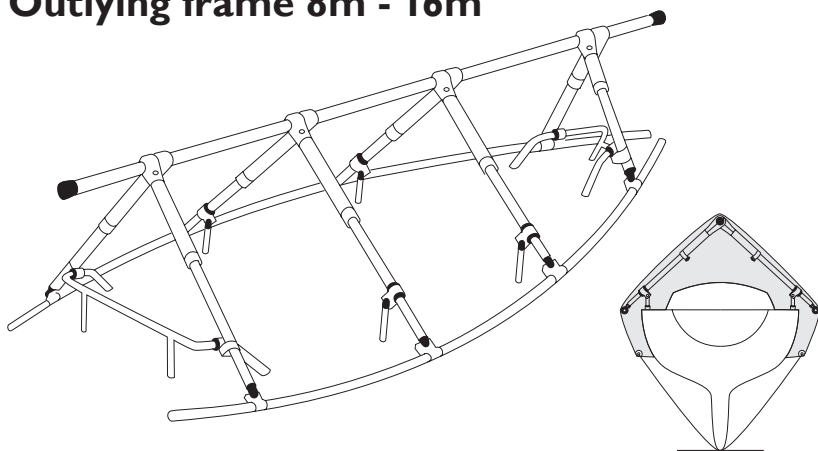
A deck frame can be converted to an outlaying frame, see page 29.

### Item number Deck frame

I0107	Deck frame 7 meter
I0108	Deck frame 8 meter
I0109	Deck frame 9 meter
I0110	Deck frame 10 meter
I0111	Deck frame 11 meter
I0112	Deck frame 12 meter
I0113	Deck frame 13 meter
I0114	Deck frame 14 meter
I0115	Deck frame 15 meter
I0116	Deck frame 16 meter



## Outlying frame 8m - 16m



The outlying frame is perfectly suited for sailboats with pushpit, pulpit and guard rail. As the frame keeps the tarpaulin out from the sides of the hull, the outlying frame provides especially good ventilation and prevents the tarpaulin from rubbing against the hull. The frame is adjustable in two directions; in height by means of telescopic legs and in distance from the boat by means of the fastening legs fitted to the stanchion base.

*Please note: some boats are equipped with a stanchion peg instead of a traditional stanchion base. Be sure to specify this when ordering your outlying frame.*

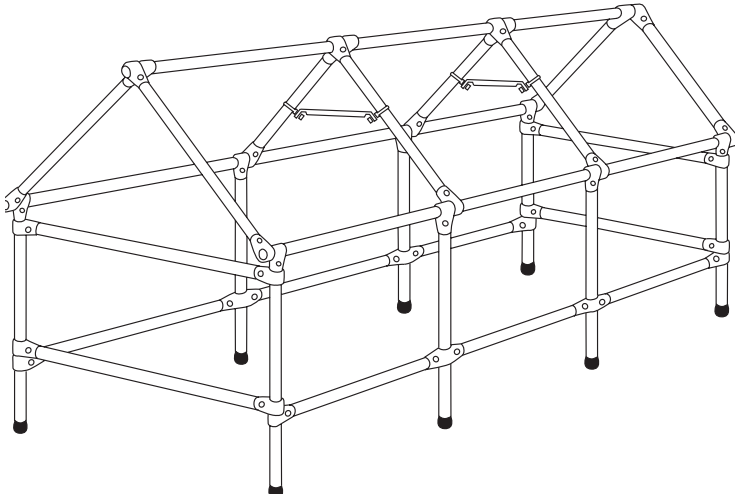
### Item number Outlying frame

10402	Outlying frame 8 meter, 2 stanchion base
10403	Outlying frame 8 meter, 3 stanchion base
10413	Outlying frame 9 meter, 3 stanchion base
10414	Outlying frame 9 meter, 4 stanchion base
10426	Outlying frame 10 meter, 3 stanchion base
10427	Outlying frame 10 meter, 4 stanchion base
10437	Outlying frame 11 meter, 4 stanchion base
10438	Outlying frame 11 meter, 5 stanchion base
10446	Outlying frame 12 meter, 4 stanchion base
10447	Outlying frame 12 meter, 5 stanchion base
10460	Outlying frame 13 meter, 4 stanchion base
10461	Outlying frame 13 meter, 5 stanchion base
10465	Outlying frame 14 meter, 5 stanchion base
10466	Outlying frame 15 meter, 5 stanchion base
10467	Outlying frame 16 meter, 5 stanchion base



Stanchion base with peg

# Boat house



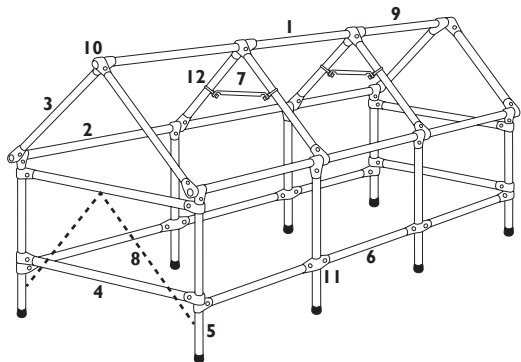
The boat house is an excellent facility when you require extra space around the boat for such activities as maintenance or repair of the hull and you will never have to worry about the weather. The NOA boat house is made-to-measure and incorporates our standard parts.

## Item number Boat house

75350 Boat house

Item	Tube dimension
------	----------------

1	Ridge	35 mm	9	Lock
2	Foot	35 mm	10	T-connector
3	Beam	35 mm	11	X-connector
4	Gable	35 mm	12	NOA fitting 30-35
5	Pole	35 mm		
6	Base	35 mm		
7	Stay	30 mm		
8	Stay	30 mm		



# Accessories

NOA's frame system is based on modular thinking. You should be able to change your covering frame as your needs change, for instance, when you buy a new boat. The combinations are endless. Below you will find a couple of examples, but ultimately, it's only your imagination which sets the limit.

## Deck legs

Is your boat longer than the last one? Complement your frame with an extra pair of telescopic deck legs. Choose between plastic feet or a fitting for the NOA fitting. Also complement the top horizontal tube and lock.

### Item number deck legs

- 10310 Telescopic legs (pair) 1,5-2,3 m
- 10311 Telescopic legs (pair) 0,9-1,7 m
- 10312 Telescopic legs (pair) 0,7-1,2 m with end fitting
- 10313 Telescopic legs (pair) 0,9-1,7 m with end fitting
- 10340 Top horizontal tube 2,5 m
- 10341 Top horizontal tube 2,0 m
- 10356 Lock for top horizontal tube
- 10802 NOA fitting 25 mm

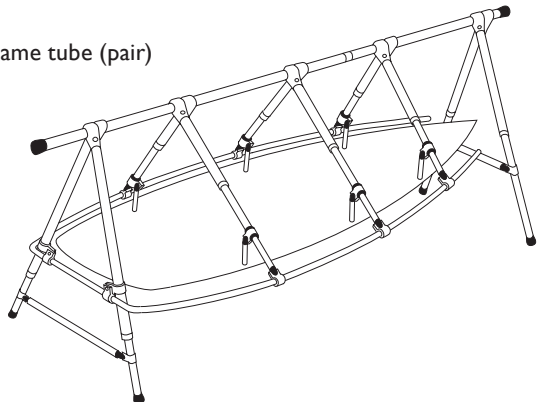


## Complement an A-frame to Outlaying frame

An A-frame can easily be converted to an outlaying frame provided that the boat has a guard rail.

### Item number A-frame to Outlaying frame

- 10302 Stanchion base fitting (pair)
- 10303 A-leg connection (pair)
- 10305 NOA-fitting for outlaying frame tube (pair)
- 10331 Outlying tube 2 x 9 m
- 10332 Outlying tube 2 x 10 m
- 10333 Outlying tube 2 x 11 m
- 10361 Lock outlying tube
- 10327 Curved stern fitting 3,0 m
- 10328 Curved stern fitting 2,5 m
- 10329 Curved stern fitting 2,0 m

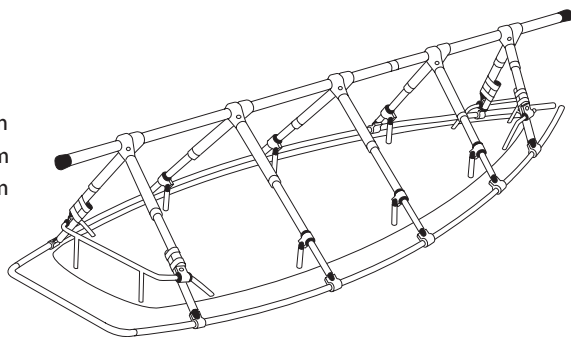


### Complement a Deck frame to Outlaying frame

A deck frame can be converted to an outlaying frame to ensure even better ventilation - however, the boat must be equipped with a guard rail.

#### Item number Deck frame to Outlaying frame

- I0301 Pulpit leg extender (4 pieces)
- I0302 Stanchion base fitting (pair)
- I0305 NOA-fitting outlaying tube
- I0331 Outlaying tube 2 x 9 m
- I0332 Outlaying tube 2 x 10 m
- I0333 Outlaying tube 2 x 11 m
- I0361 Lock outlaying tube
- I0327 Curved stern fitting 3,0 m
- I0328 Curved stern fitting 2,5 m
- I0329 Curved stern fitting 2,0 m

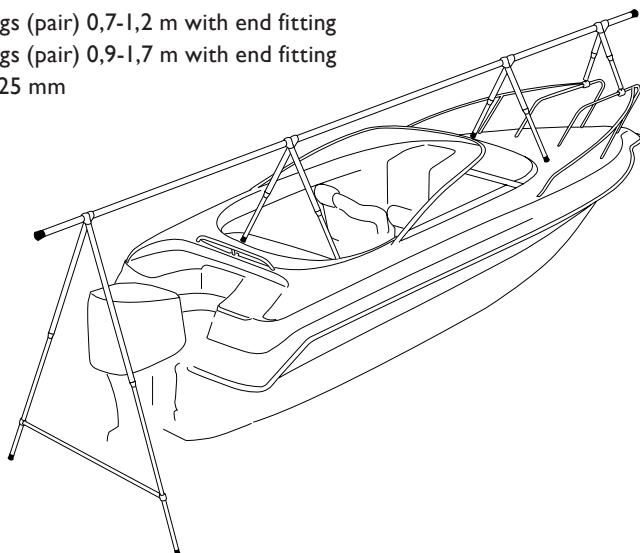


### Complement A-frame

If your new boat has a pulpit, you can easily complement your A-frame with an extra pair of deck-legs and a NOA-fitting to ensure a stable fit without harming the pulpit.

#### Item number complement A-frame

- I0312 Telescopic legs (pair) 0,7-1,2 m with end fitting
- I0313 Telescopic legs (pair) 0,9-1,7 m with end fitting
- I0802 NOA fitting 25 mm



## Accessories frames



I0301 Pulpit leg extension (4 pieces)



I0305 NOA fitting for outlaying tube (pair)



I0302 Stanchion base fitting (pair)



I0310 Telescopic legs (pair)  
1,5 - 2,3 m

I0311 Telescopic legs (pair)  
0,7 - 1,7 m



I0303 A-leg connection (pair)



I0312 Telescopic legs with end fitting (pair) 0,7 – 1,2m

I0313 Telescopic legs with end fitting (pair) 0,9 – 1,7m



I0304 Pulpit connection



- 10329 Curved stern fitting 2,0m
- 10328 Curved stern fitting 2,5m
- 10327 Curved stern fitting 3,0m



- 10350 Telescopic lock



- 10330 Outlaying tube 2x8m
- 10331 Outlaying tube 2x9m
- 10332 Outlaying tube 2x10m
- 10333 Outlaying tube 2x11m
- 10334 Outlaying tube 2x12m
- 10335 Outlaying tube 2x13m
- 10336 Outlaying tube 2x14m
- 10361 Lock outlaying tube



- 10360 Telescopic lock (mk2)



- 10351 T-connection 35 mm



- 10342 - A-legs pair 2,5-3,2m with stay
- 10343 - A-legs pair 2,5-3,8m with stay
- 10344 - A-legs pair 2,5-4,3m with stay
- 10345 - A-legs pair 2,5-4,8m with stay



- 10352 Allen key 8 mm



- 10356 Lock for top horizontal tube
- 10361 Lock for out laying tube



- I0358 30 mm tube, 1,5 m, incl two-pronged end fitting
- I0359 30 mm tube, 2,0 m, incl two-pronged end fitting



- I0811 NOA fitting 30-35 for A-stay incl. bolt + nut



- I0510 Aluminium tube 35mm
- I0511 Aluminium tube 30mm
- I0512 Aluminium tube 25mm
- I0340 Top horizontal tube 2,5m
- I0341 Top horizontal tube 2,0m



- I1501 End fitting



- I1504 Two-pronged end fitting 25mm



- I0802 NOA fitting 25 mm bolt + nut
- I0850 NOA fitting 30 mm bolt + nut
- I0851 NOA fitting 32 mm bolt + nut
- I0852 NOA fitting 38 mm bolt + nut



- I1505 Two-pronged end fitting 30mm





- 11522 End cap 25mm
- 11520 End cap 30mm
- 11521 End cap 35mm



11703 Knob 35 mm



- 11523 End plug 25 mm
- 11524 End plug 30 mm
- 11525 End plug 35 mm



- 11720 Nut M8
- 11755 Bolt M8x40



45214 Corner fitting 35 mm



11620 NOA bag



45215 Cross fitting 35 mm



11701 Knob 20 mm



45216 Cross/corner fitting 35 mm

## Boat dollies

A robust, electro-plated Boat Dolly for exhibitions and storage. Two dollies can be connected, with an extra tube, for larger boats.

Design protected No 2011/0074

Width: 830 mm

Length: 1200 mm

Height: 300 mm

Weight: 35 kg

Max load: 1400kg/dolly



### Item number Boat Dollies

- 11401 NOA Boat Dolly Small
- 11402 NOA Boat Dolly Regular (picture)
- 11405 Extra tube 2 meter

Two dollies can be connected, with an extra tube, for larger boats.



For smaller boats, NOA Boat Dolly Small  
Length: 2 300 mm  
Width: 1 200 mm  
Max load: 1 000 kg





## A-Frame

Item no:	Lenght of frame in meter	A A-leg max lenght	B Stay lenght	C Deck legs 0,9-1,7 m
10205	5	3,2	0,9	2
10206	6	3,2	0,9	2
10207	7	3,8	1,5	4
10208	8	3,8	1,5	4
10209	9	4,3	2,0	2
10210	10	4,3	2,0	2
10211	11	4,8	2,5	2
10212	12	4,8	2,5	2

## Deck frame

Item no:	Lenght of frame in meter	A Pulpit legs 0,7-1,2 m	B Pushpit legs 0,9-1,7 m	C Deck legs 0,9-1,7 m
10106	6	-	-	5
10107	7	2	2	4
10108	8	2	2	4
10109	9	2	2	2
10110	10	2	2	2
10111	11	2	2	2
10112	12	2	2	2

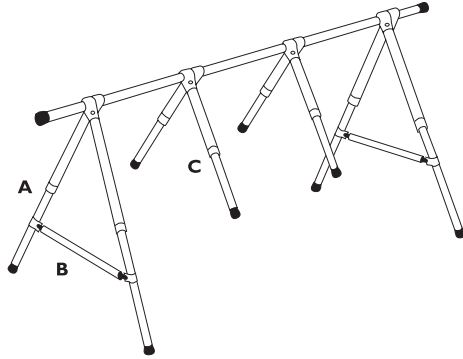
## Outlying frame

Item no:	Lenght of frame in m.	Stanchion- base/side	A Pulpit legs	B Pushpit legs	C Deck legs 0,9-1,7	C Deck legs 0,9-2,05	C Deck legs 1,5-2,3
10402	8	2	2	2	2	-	2
10403	8	3	2	2	2	-	4
10413	9	3	2	2	2	-	4
10414	9	4	2	2	2	-	6
10426	10	3	2	2	2	-	4
10427	10	4	2	2	2	-	-
10437	11	4	2	2	-	2	-
10438	11	5	2	2	-	2	-
10446	12	4	2	2	-	2	-
10447	12	5	2	2	-	2	-

*Please note: some boats are equiped with a stanchion peg instead of a traditional stanchion base. Be sure to specify this when ordering your outlying frame.*

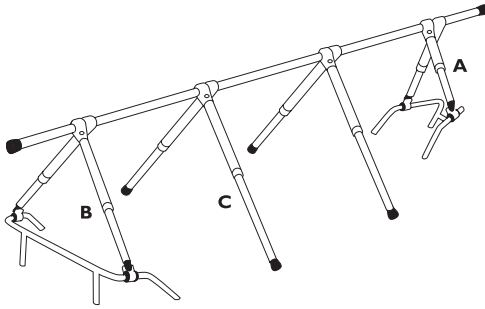
**C**  
Deck legs  
1,5-2,3 m

- 
- 
- 
- 2
- 4
- 4
- 4

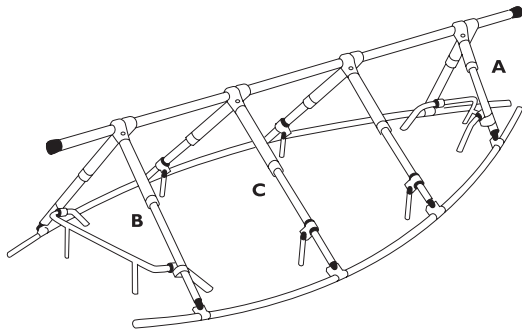


**C**  
Deck legs  
1,5-2,3 m

- 
- 
- 
- 2
- 4
- 4
- 4



<b>C</b> Deck legs 1,25-2,55	<b>C</b> Deck legs 1,5-2,8	<b>C</b> Deck legs 2,0-3,3	<b>Max width of boat</b>
-	-	-	3,3
-	-	-	3,3
-	-	-	3,3
-	-	-	3,3
-	-	-	3,7
6	-	-	3,7
-	4	2	4,2
-	4	4	4,2
-	4	2	4,2
-	4	4	4,2



**NOA Aluminium AB**

Vintervägen 3, 135 40 Tyresö, Sweden  
Tfn +46 8 742 63 00 | Fax +46 8 742 30 70  
E-mail [noa@noa.se](mailto:noa@noa.se) | [www.noa.se](http://www.noa.se)

