

PRODUCT BASIC INFORMATION

OCEANLINK NAVIGATION DEPTH GAUGE

Best Performance in Outdoor Environments



OCEANLINK CLASSIC NAVIGATION

ART NR: A2C1957360001

Precision CAN Instrumentation for Leisure Boats

KEY FEATURES

- ▶ NMEA 2000
- ▶ Anti-fog double layer plastic lens
- ▶ Protection rating IP X7

The OceanLink Navigation product family consists of five high-quality gauges with a classic analog design and modern digital bus inputs. Compatible with the NMEA 2000® protocol standard, these products can be easily integrated into your vessel's system and can read information from any NMEA 2000® compatible sensor.

The OceanLink Depth Gauge displays the water depth relative to the keel or the sensor. You can select whether to include the offset, sent by the sensor, using the infrared touch button conveniently placed on the gauge's dial.

Thanks to the non-linear double scale, the measured values can be easily interpreted in both metric and imperial units.



TECHNICAL DATA

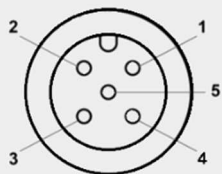
Housing	Material: PC-FR
Bezel	Material: PC-FR (Black)
Operating Temperature	-20°C to 70°C
Storage Temperature	-40°C to 85°C
Operating Voltage	12 VDC (Provided by NMEA Backbone)
Protection Class	IEC60945 exposed equipment IP X7 front and rear
Approval	CE, UKCA, RoHS, NMEA2000®
Data Input	NMEA2000



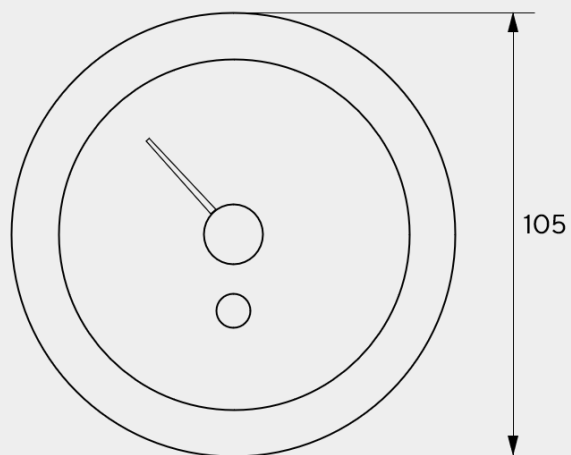
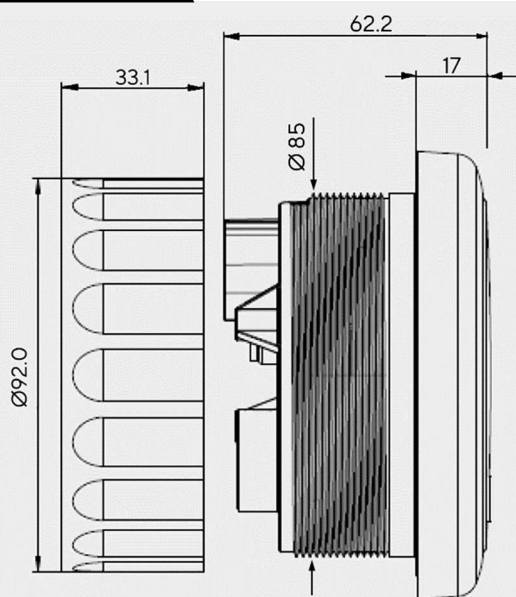
CONNECTOR

M12-5Pin

Pin	Signal
1	Shield
2	Power (12V)
3	GND
4	CAN-High
5	CAN-Low



DIMENSIONS



NMEA 2000 MESSAGES

Description	PGN
Water Depth	128267

OUTDOOR INSTRUMENTATION ENGINEERED IN SWITZERLAND

Veratron AG / Industriestrasse 18 / 9464 Rüthi / Switzerland
T +41 71 7679 111 / info@veratron.com / veratron.com

The information provided in this brochure contains only general descriptions or performance characteristics, which do not always apply as described in case of actual use or which may change as a result of further development of the products. This information is merely a technical description of the product. It is not meant or intended to be a special guarantee for a particular quality or particular durability. An obligation to provide the respective characteristics shall only exist if expressly agreed in the terms of contract. We reserve the right to make changes in availability as well as technical changes without prior notice.
Veratron AG / English © 2024