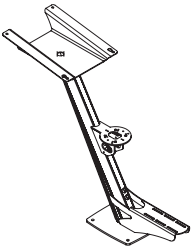
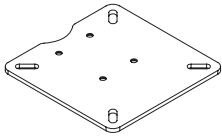
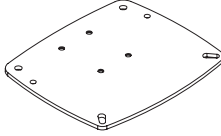
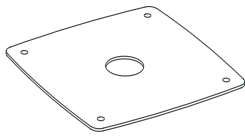
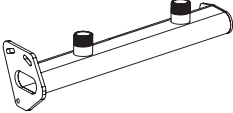
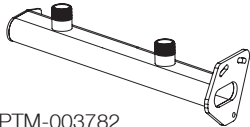
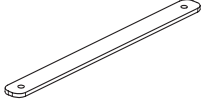
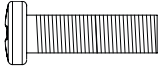

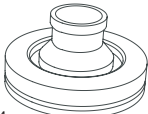
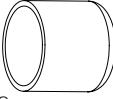
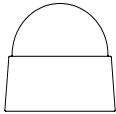
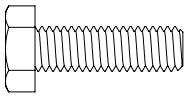
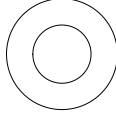
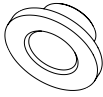
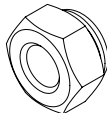
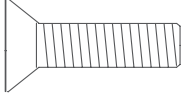
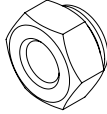
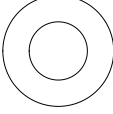
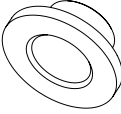
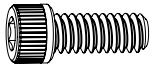



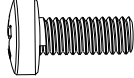

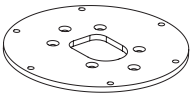
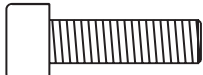
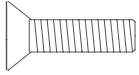
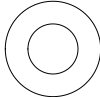
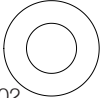




| Part List   |   |  |  |
|---|---|--|--|
| <br>PTM-R-SL<br>Taper mast<br>X1                                 | <br>PTM-R1-SL only<br>DPT-R-PLATE-02<br>Mounting plate<br>X1 | <br>PTM-R2-SL only<br>DPT-R-PLATE-01<br>Mounting plate<br>X1                        | <br>19008<br>Base seal<br>X1            |
| <br>PTM-003848<br>PTM Wing LH<br>X1                              | <br>PTM-003782<br>PTM Wing RH<br>X1                          | <br>PTM-003863<br>Cover plate<br>X2   | <br>60510<br>M5x10mm Pan Head<br>X4     |
| <br>101817<br>Ø16 Grommet<br>X2                                  | <br>101804<br>Ø23 Grommet<br>X3                              | <br>101818<br>Tube cap<br>X4  | <br>60068<br>M6 Nut cover<br>X6         |
| <br>60621<br>M6x20 Hex Head bolt<br>X6                          | <br>60065<br>M6 Washer<br>X12                               | <br>64004<br>M10 Shoulder washer<br>X4   | <br>60060<br>M6 Nut<br>X6              |
| <br>610825<br>M8x25 CSK bolt<br>X4                             | <br>60080<br>M8 Nut<br>X4                                  | <br>60085<br>M8 Washer<br>X4  | <br>65058<br>M5 Shoulder Washer<br>X4 |
| <br>60637<br>1/4" x 5/8" Bolts<br>X4 | <br>64015<br>M8 Nylon Shoulder Washer<br>X4                | <br>6004972<br>1/4" Stainless Steel Washer<br>X4 |  |

60005574

|   |  |   |
|---|--|---|
| <br>DS30 Shell<br>X4 | <br>60402<br>M4 x 10 Bolt<br>X4 | <br>DS30 Bungs<br>X4 |
|---|--|---|

FLIR M100/200 riser kit

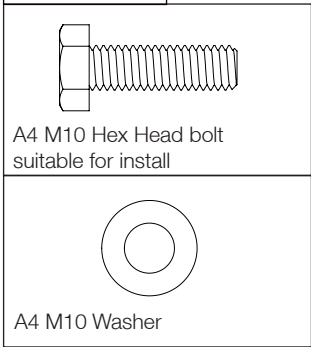
|  |   |   |  |
|--|---|---|--|
| <br>10039<br>M100-200 plate<br>X1   | <br>620620<br>M6x25mm Sockert head<br>X6 | <br>610625<br>M6x25mm CSK bolt<br>X6 | <br>60065<br>M6 Washer<br>X12 |
| <br>60702<br>M6 Nylon Washer<br>X12 | <br>60060<br>M6 Nut<br>X12               | <br>60068<br>M6 Nut cover<br>X12     |  |

UK & International  
 +44 (0)1392531280  
 sales@scanstrut.com

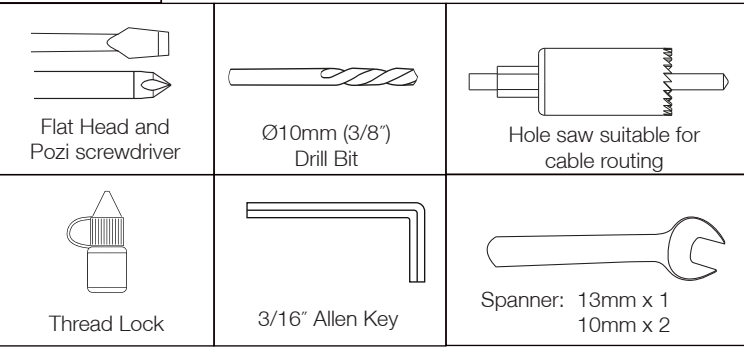
For further installation  
 and warranty information  
 please visit:  
 www.scanstrut.com

USA  
 +1 860 308 1416  
 usasales@scanstrut.com

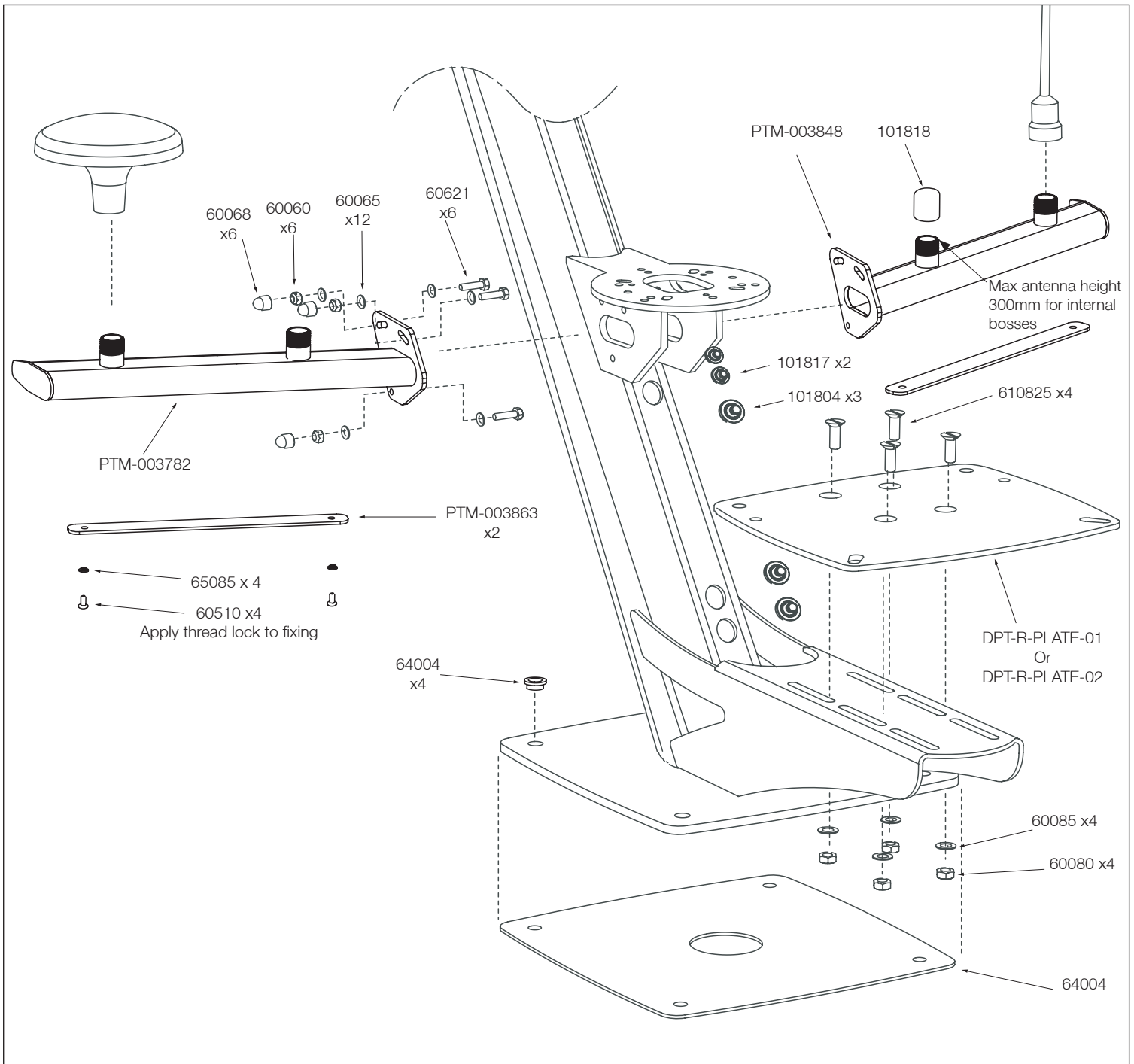
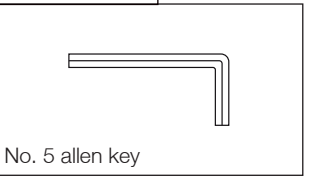
Parts Required



Tools Required

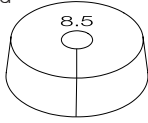


Riser kit only

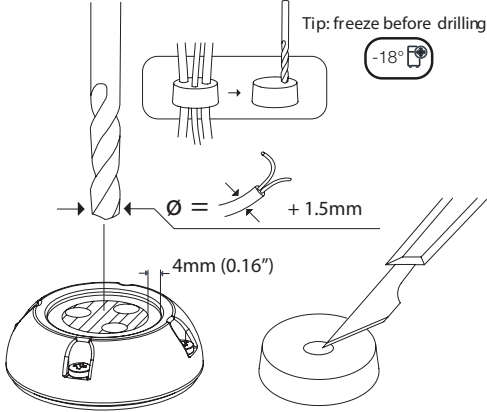


### Waterproof Cable Routing

1a) Use the ø8.5mm bung supplied for routing the Starlink cable.

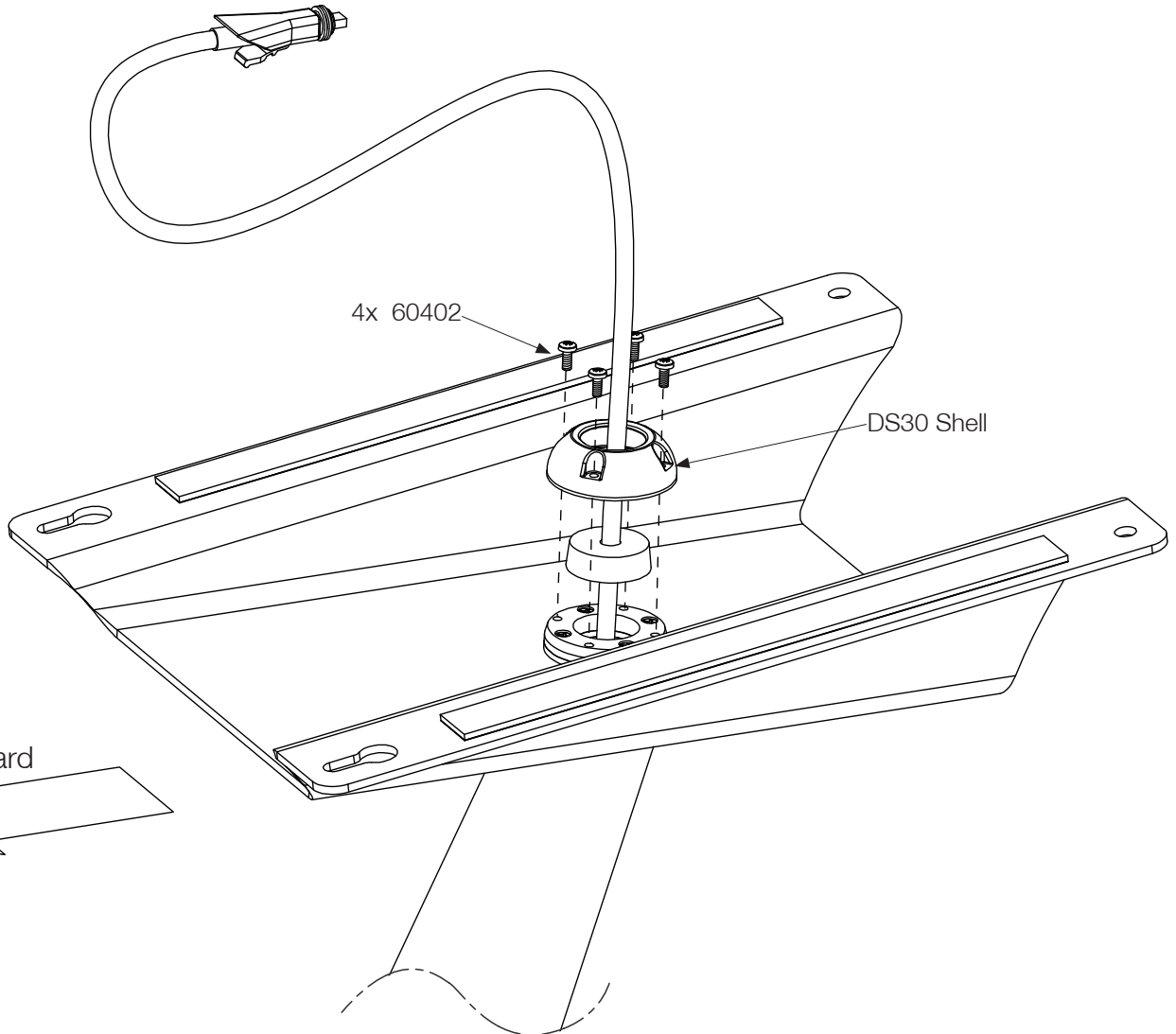
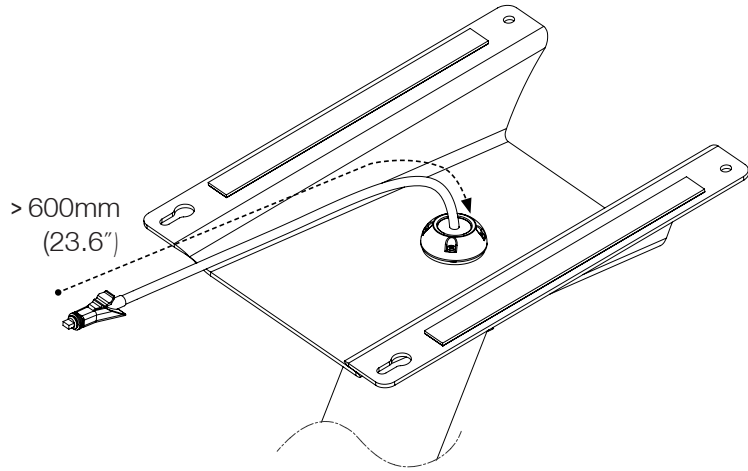


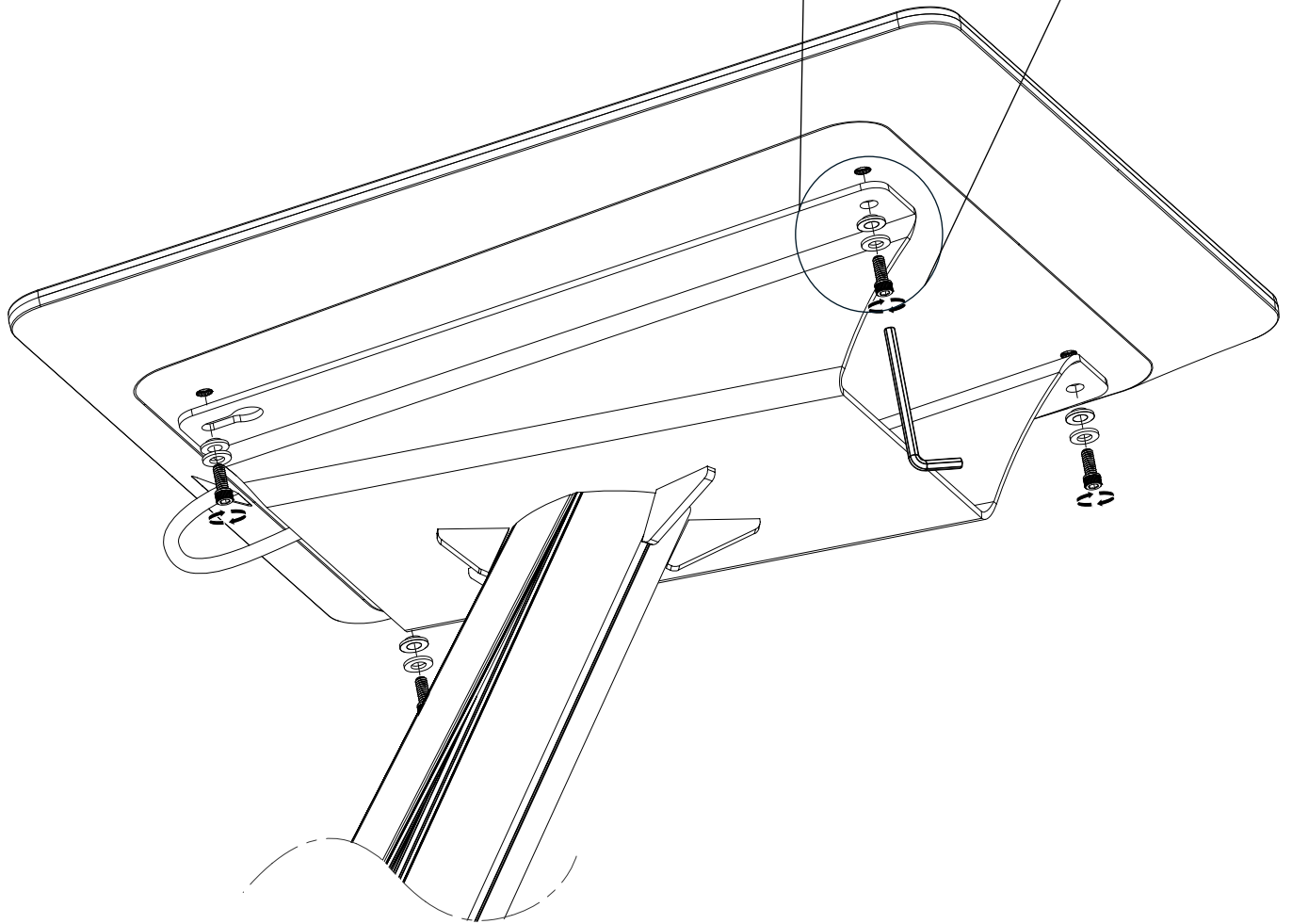
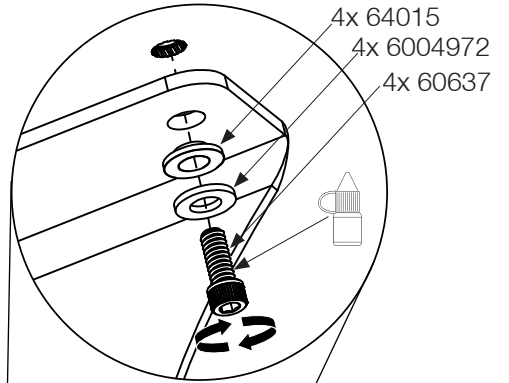
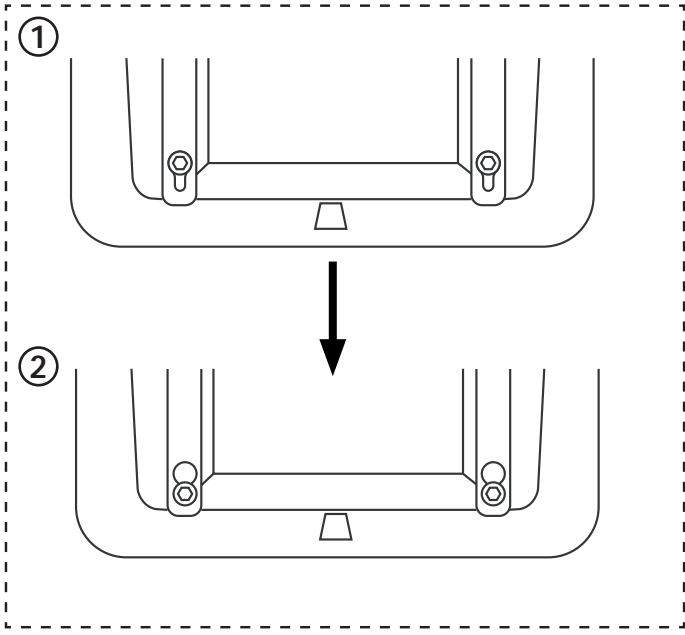
1b) For routing a number of cables.



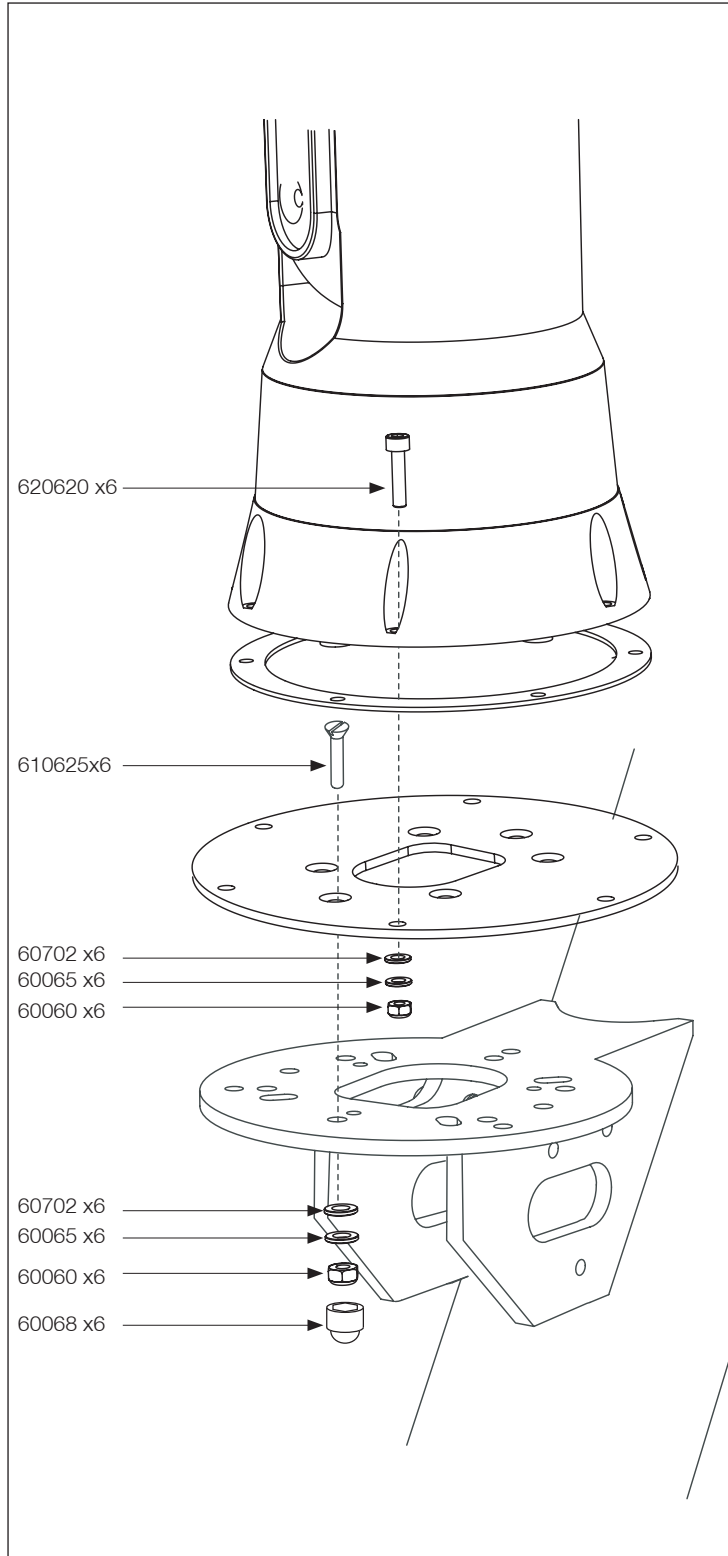
### Recommended Starlink Cable Length

Pass smaller connector through the cable seal until the length is at least 600mm (23.6").





FLIR M100/200 riser kit assembly



IMPORTANT

No liability is accepted for damage caused by incorrect installation.

The installation and assembly must be regularly inspected for evidence of damage or loose parts.

Product has been designed specifically for the mounting of approved marine electronics under normal boating conditions.

IMPORTANT

Scanstrut décline toute responsabilité pour les dégats résultant d'une installation incorrecte.

L'installation et l'assemblage doivent être inspectés régulièrement afin de détecter des dégats ou des pièces desserrées.

Ce produit a été spécifiquement conçu pour le montage d'appareils d'électronique marine approuvés dans des conditions de navigation normales.

WICHTIG

Für Schäden aufgrund unsachgemäßen Einbaus wird keine Haftung übernommen.

Der Anbau und die Baueinheit müssen regelmäßig auf Anzeichen von Schäden oder lockere Teile geprüft werden.

Dieses Produkt wurde spezifisch für die Befestigung genehmigter Elektronikgeräte für die Schifffahrt unter normalen Bootsfahrtsbedingungen entwickelt.

IMPORTANTE

Si declina qualsiasi responsabilità per danni causati da un'installazione erranea.

L'installazione e il montaggio devono essere ispezionati con regolarità per verificare la presenza di danni o di pezzi allentati.

Questo prodotto è stato studiato appositamente per il supporto di apparecchiature elettroniche navali approvate in normali condizioni di navigazione.

IMPORTANTE

No se aceptará ninguna responsabilidad por los daños causados por una instalación incorrecta.

La instalación y ensamblaje deberá inspeccionarse regularmente, comprobando cualquier evidencia de daños o piezas aflojadas.

Este producto ha sido específicamente diseñado para el montaje de equipos electrónicos marinos aprobados bajo condiciones normales de navegación.