

Stern Thruster WS60C Series / DC DC Control unit



WS60C is a completely new way of mounting a stern thruster propeller system. When mounting conventional stern thrusters on boats with outboard motors or stern drives the motor / stern drives is in the way of getting a free water flow to both sides. The WS60C has two thruster motores where one is mounted on each side of the engine / stern drive, this provides free water flow when maneuvering too the port side or too starboard side. The WS60C is very flexible in installation thanks to the new super-compact 3-phase brushless motors. Despite its super compact size, the WS60C has similar power as a conventional thruster system in the 50-60kg range.

Intended for boats up to about 35ft max 5500kg

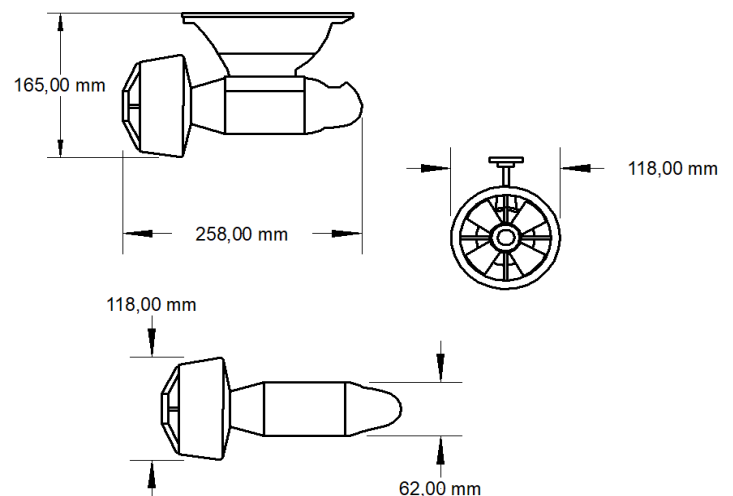
Control unit w DC DC: L 25cm B 18cm H 15cm

Motor: Direct drive, 3 phase, brushless, 36v.

Output power: 2kw

Input voltage: 12v DC

Circuit breaker: 200amp



www.anchorlift.com

sales@anchorlift.com